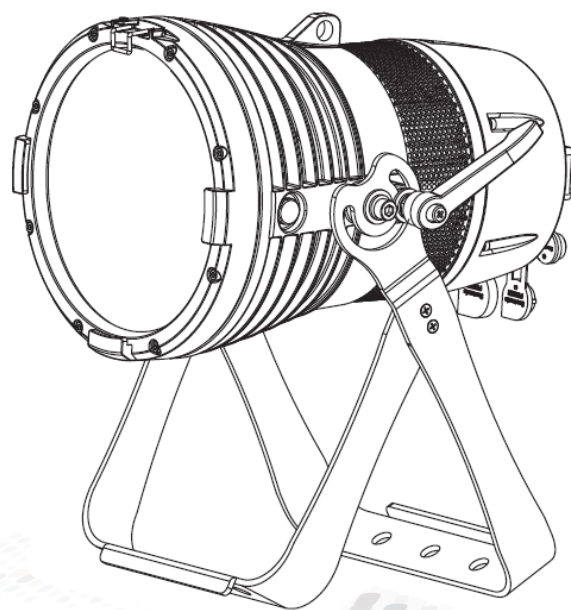


# Aurora UV IP

LED PAR211

**USER MANUAL**

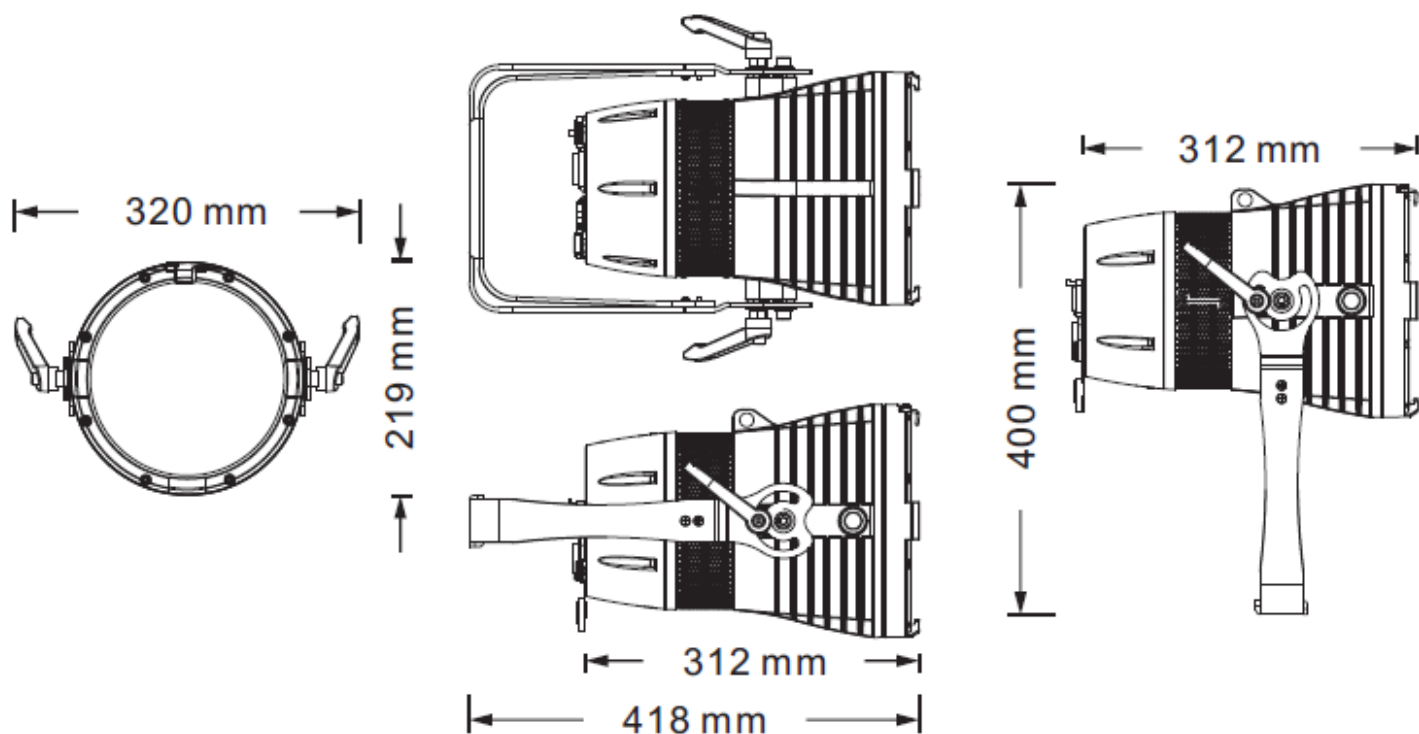


# 1 PRODUCT

## 1.1 TECHNICAL SPECIFICATIONS

Type	Aurora UV IP
LED	365nm UV
Power	110W
Voltage Range	AC100~240V,50/60Hz
Beam Angle	46°
Protection	IP65
Operation Temperature	-20°C~45°C
Dimensions	320x418x219mm
Weight	6.5kg

## DIMENSIONS



## 1.2 Safety Warning

Always read the user manual before operation.

Please confirm that the power supply stated on the product is the same as the mains power supply in your area.

### **IMPORTANT**

- This product must be installed by a qualified professional.
- Always operate the equipment as described in the user manual.
- A minimum distance of 0.5m must be maintained between the equipment and any combustible surface.
- The product must always be used in a well-ventilated area.
- Always make sure that the equipment is installed securely.
- Do not stand too close to the equipment and stare directly into the LED light source.
- Always disconnect the power supply before attempting any maintenance.
- Always make sure that the supporting structure is solid and can support the combined weight of the products.
- The earth wire must always be connected to the ground.
- Do not touch the power cables if your hands are wet.

### **ATTENTION**

- This product left the place of manufacture in perfect condition. To maintain this condition and for safe operation, the user must always follow the instructions and safety warnings described in this user manual.
- Avoid shaking or strong impacts to any part of the equipment.
- Make sure that all parts of the equipment are kept clean and free of dust.
- Always make sure that the power connections are connected correctly and securely.
- If there is any malfunction of the equipment, contact your distributor immediately.
- When transferring the product, it is advisable to use the original packaging in which the product left the factory.
- Shields, lenses, or ultraviolet screens shall be changed if they have become damaged to such an extent that their effectiveness is impaired.
- The lamp (LED) shall be changed if it has become damaged or thermally deformed.

### **Caution – Risk of Electric Shock**

The light source contained in this luminaire shall only be replaced by the manufacturer or qualified service agent, or a similar qualified person.

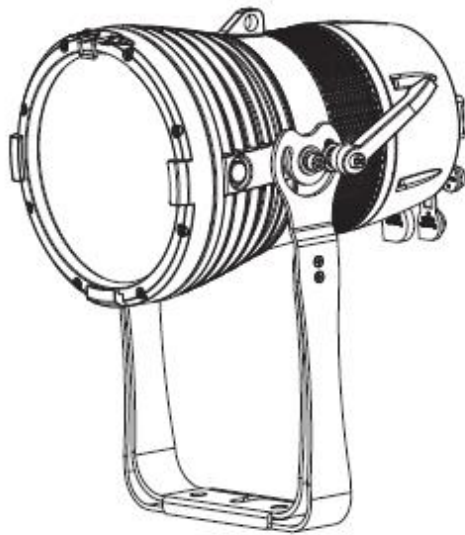
## 2 INSTALLATION

### 2.1 MOUNTING

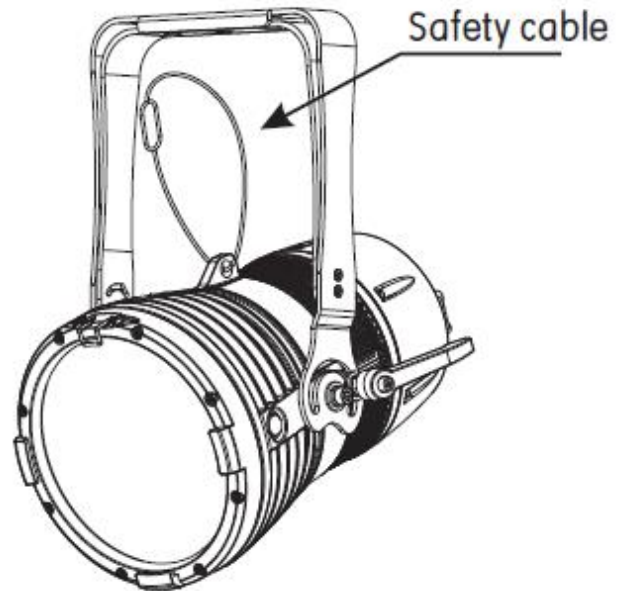
This fixture can be mounted in any position.

Always ensure that mounting surface can withstand 10 times the weight of the fixture.

Always use a safety cable when mounting the fixture in any elevated position.



**UPRIGHT**



**HANGING**

- Always use a safety cable when installing this unit.
- Be sure that the safety cable is connected to a solid, load-bearing structure.

### 2.2 POWER CONNECTIONS

This product uses input and output power cable is 1.5 square mm copper wire.

Note:

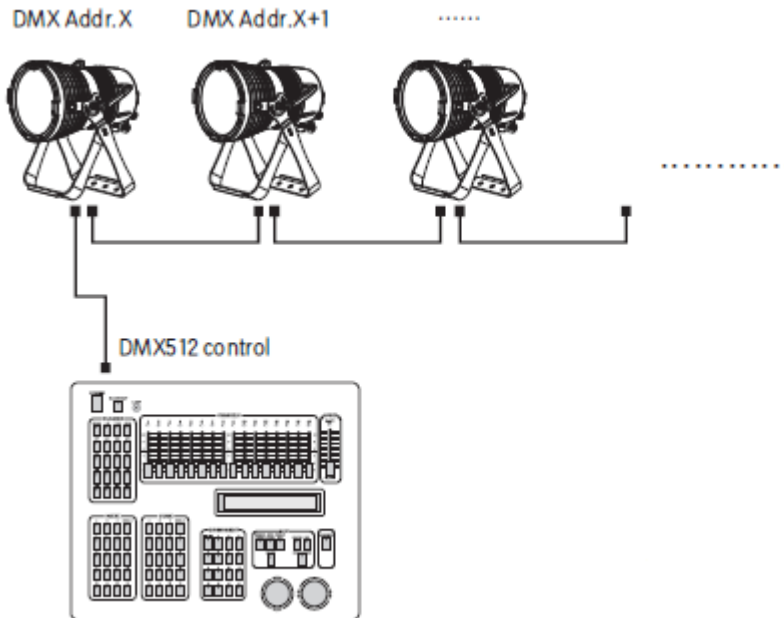
If the signal cable is over 60m between the DMX512 controller and fixture or between two fixtures, then a DMX signal amplifier is needed as well.

## 2.3 Data network requirements

The DMX console and the lamp body are connected in series.

Because the STD.P MODE is four channels, the address code of the lamp increases by 4, for example (1, 5, 9, 13...)

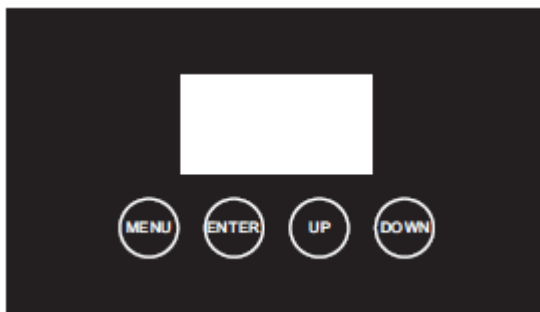
The DMX address code can be any value between 001 and 512.



As shown on the right, the controller is connected to the lamp body in series, the DMX address for the first lamp is set to 1, the second unit is set to 5, and so on.

## 3 DISPLAY PANEL OPERATION

### 3.1 DISPLAY OPERATION



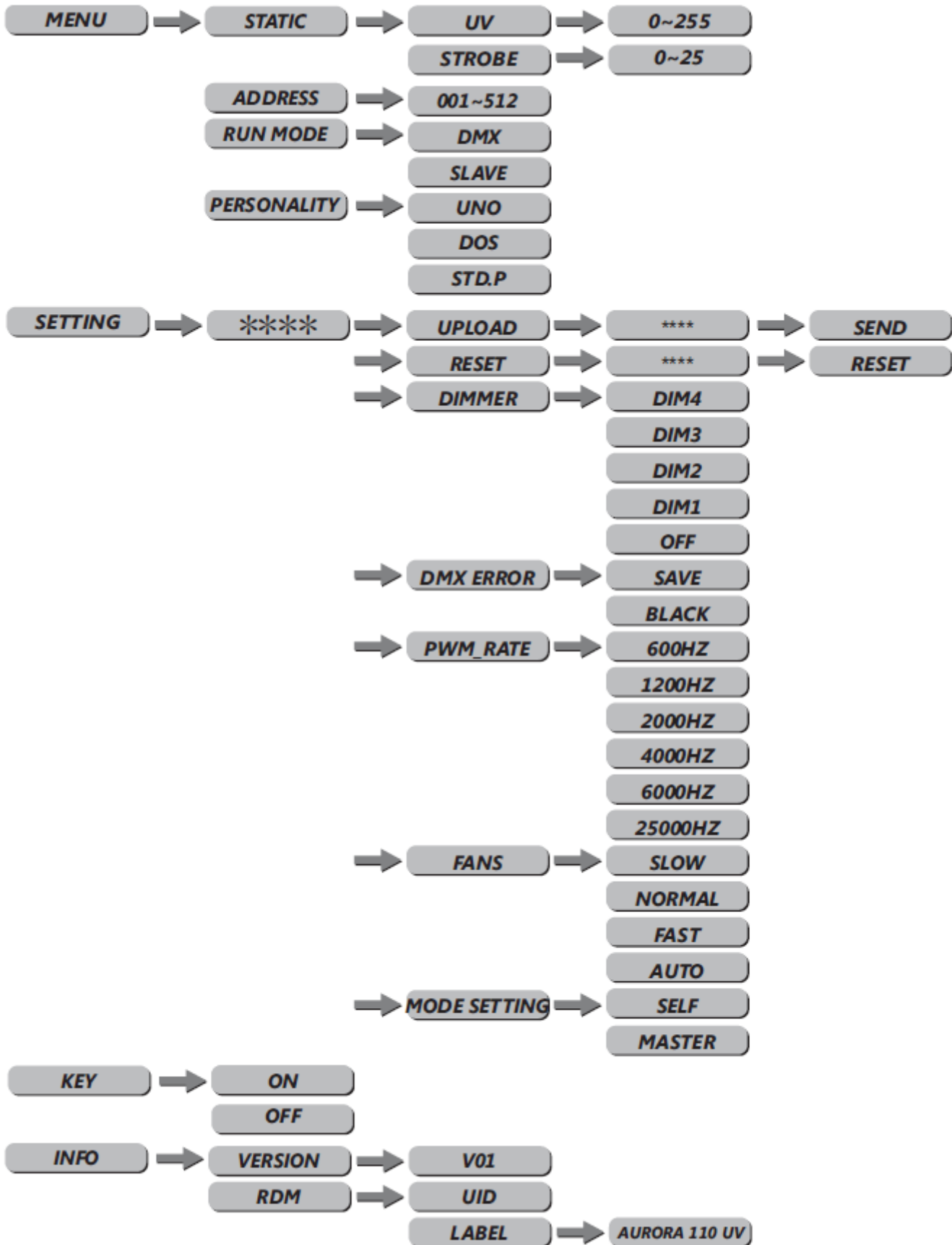
MENU: Menu/Back.

ENTER: Save

UP: Moves up, increase value

DOWN: Moves down, decrease value

### 3.2 Menu

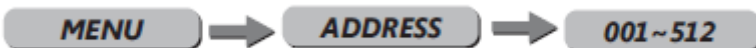


### 3.3 Static



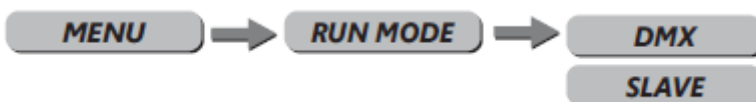
- Enter the STATIC mode to create the programs.
- Combine UV/STROBE to create a definite range of colours. Use the up and down buttons to adjust 0~255 value, set value of the STROBE, push the up and down buttons to adjust 0~25Hz value
- The static setting will be valid when the fixture is powered again.
- Note :  
When using this function, if the MODE SETTING menu is set as MASTER, then the fixture will transfer the DIM values to other fixtures. When DMX data is received at the fixture, it will automatically return to main menu after 2 minutes of no key operation.

### 3.4 DMX Address Setting



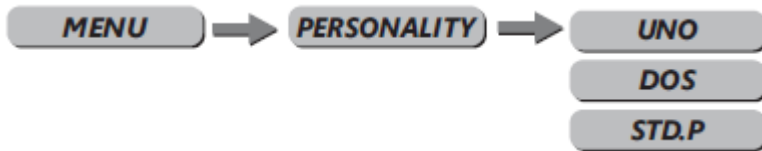
Enter the DMX mode to set the DMX address.  
Enter Up/Down select 1~512 address.  
Enter/MENU return.

### 3.5 Runmode



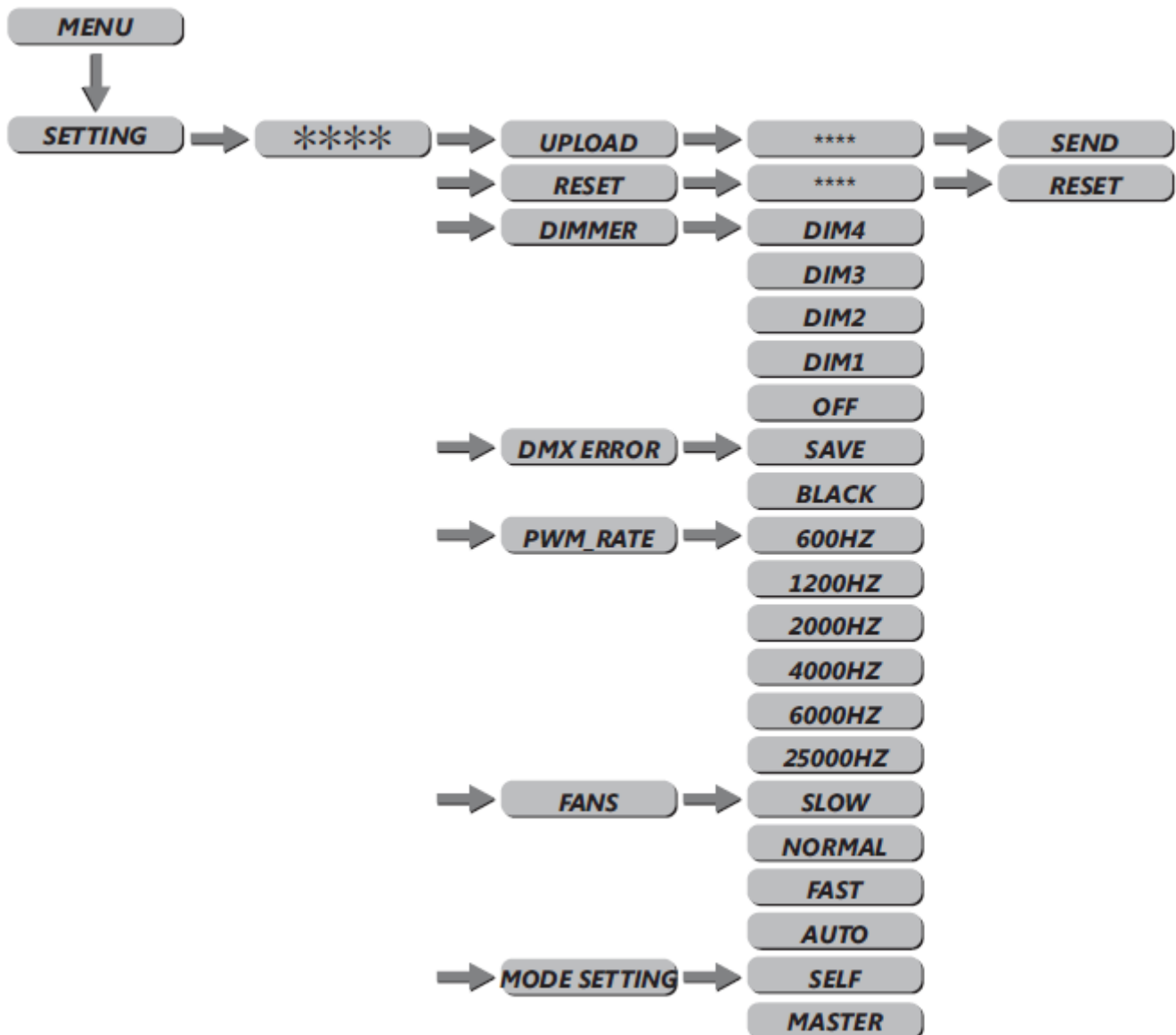
- RUNMODE menu, select required run mode, press Down/Up select mode.
- DMX mode is for using a DMX512 controller to control the fixtures.
- SLAVE mode is for Master -- Slave operation.
- Press ENTER to accept, Press MENU to return.

### 3.6 Personality



Press UP or DOWN to select UNO, DOS, STD.P. Please refer to DMX channel table for the specific channel value.

### 3.7 Setting





- **SETTING:** this menu allows the user to adjust key operation settings for this fixture.
- **Select UPLOAD** to upload the custom programs from the current MASTER unit to the SLAVE units.
- **RESET:** reset the fixture. Enter the password "up down up down" to confirm, and then perform the RESET of the lamp parameters.
- **DIMMER:** sets a non-linear DIMMER speed setting, OFF is normal linear dimming. Select DIM1, DIM2, DIM3 or DIM4 for different dimming speeds. (DIM4 is the slowest dimming speed.
- **DMX ERROR:** Choose SAVE to save the last DMX data in case of DMX signal error. Choose BLACK to blackout in case of DMX signal error.
- **PWM\_RATE:** sets the PWM refresh rate base, press UP/DOWN to choose 600Hz, 1200Hz, 2000Hz, 4000Hz, 6000Hz, 25000Hz.  
Note: Attention: The gray level of dimming will be reduced as the refresh rate increases.
- **FANS:** Select Slow/Norm/Fast/Auto as fan speed.
- **MODE SETTING:** This function allows the user to select whether the fixture will send DMX data to other fixtures during stand-alone operation. The MASTER setting allows data to be sent to other fixtures. The SELF setting is default and will not send DMX data to other fixtures.

### 3.8 DMX Address Setting



Enter the KEY mode to select whether the access password is on or off. When the fixture is set as PASS ON, after 30 seconds or when the fixture next turns on, you will need an access password to enter the display menu control.  
Note: The factory access password is "UP+DOWN+UP+DOWN", then press ENTER to confirm the access.

### 3.9 Info



- Press ENTER into INFO to check information.
- VERSION lists the software version.
- RDM checks the fixture's ID.

# 4 USING A DMX512 CONTROLLER

## 4.1 Channel Assignment

This product has the following DMX personalities: UNO, DOS, and STD.P

UNO	DOS	STD.P	VALUE	FUNCTION
Ch.1	Ch.1	Ch.1	000 – 255	DIMMER
	Ch.2	Ch.2	000 – 255	DIMMER FINE
		Ch.3		STROBE
			000 – 009	No Function
			010 – 099	Strobe, Slow to Fast (0-25Hz)
			100 – 109	No Function
			110 – 179	Lightning Strobe
			180 – 189	No Function
			190 – 255	Random Strobe
		Ch.4		DIMMER SPEED
			000 – 009	No Function (Default Dim 4)
			010 – 029	Off
			030 – 069	Dim 1
			070 – 129	Dim 2
			130 – 189	Dim 3
			190 – 255	Dim 4